



Manager IQ Easy

Introducing a new level of static control; The heart of the new IQ Easy platform is the Manager IQ Easy. It comprises of a Control unit with a 7" LCD touch screen, provides information from all the connected devices and makes it easy to change and monitor status and parameters. Up to 6 IQ devices can be directly connected to the Manager IQ Easy. The 24V DC power distribution is routed via the Manager, so no extra cables! This makes the connection of a device even easier than connection to a single desktop power supply.

The Manager IQ is available in 2 versions:

- + **+** Input voltage 100 – 240V /50-60 Hz
This unit converts the input voltage to 24V DC and provides power to all 6 connected devices.
- + **+** Input voltage 24V DC
This model needs a 24V power input provided by the user.

Further extension of devices is possible using the Extension IQ Easy. This adds another 6 devices to the system with a maximum of 30. 2 ports on each Manager or Extension are available for the connection of previous (non IQ) Easy products e.g. Performax Easy.

Interfacing

Communication to machine interfaces is provided. Analogue and digital inputs, outputs and several serial fieldbus protocols can be used. Also Ethernet and USB ports are available for many functions.

Pro-Active ionisation control

Adding a Sensor IQ Easy to the system will allow the user to measure the downstream charge on the material. The system can also be perfected further to enhance efficiency and allow quality control. Closed loop measuring and adjustment of the static bar output will guarantee an extremely low level of residual charge.



Data logging

All device and process parameters are logged in real time and can be made visible on the LCD screen or downloaded through the Ethernet interface.

Features

- + **+** 7" full colour touch screen.
- + **+** Information is colour coded.
- + **+** Controls up to 30 devices.
- + **+** Connection up to 6 devices.
- + **+** Analogue & digital inputs and outputs.
- + **+** Serial fieldbus interfaces.
- + **+** Ethernet interface.
- + **+** USB interface.



Easy cable access



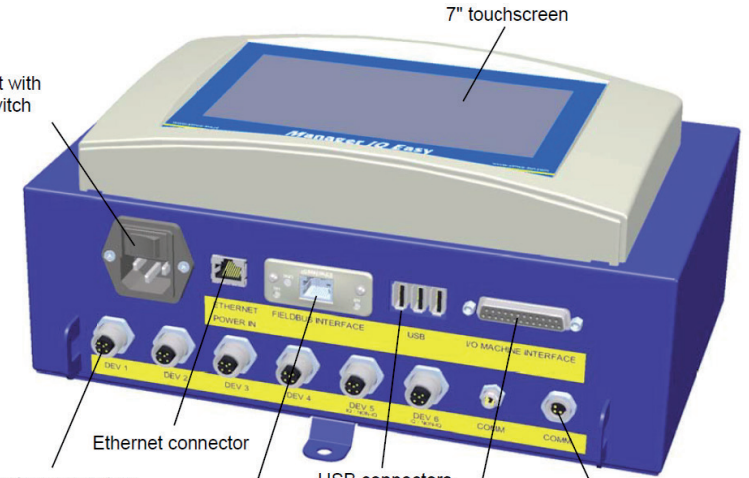
Panel mounting



7" full colour touch screen



Easy mounting



Mains inlet with On/off switch

7" touchscreen

Ethernet connector

6 device connectors

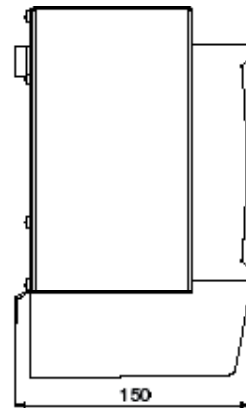
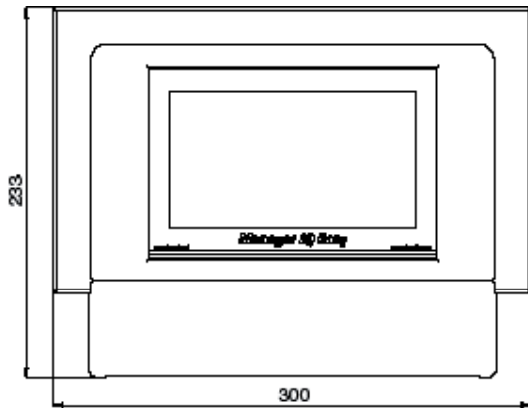
Fieldbus (optional)

USB connectors

Machine I/O connector

Serial COM connectors

Connection of up to 6 devices

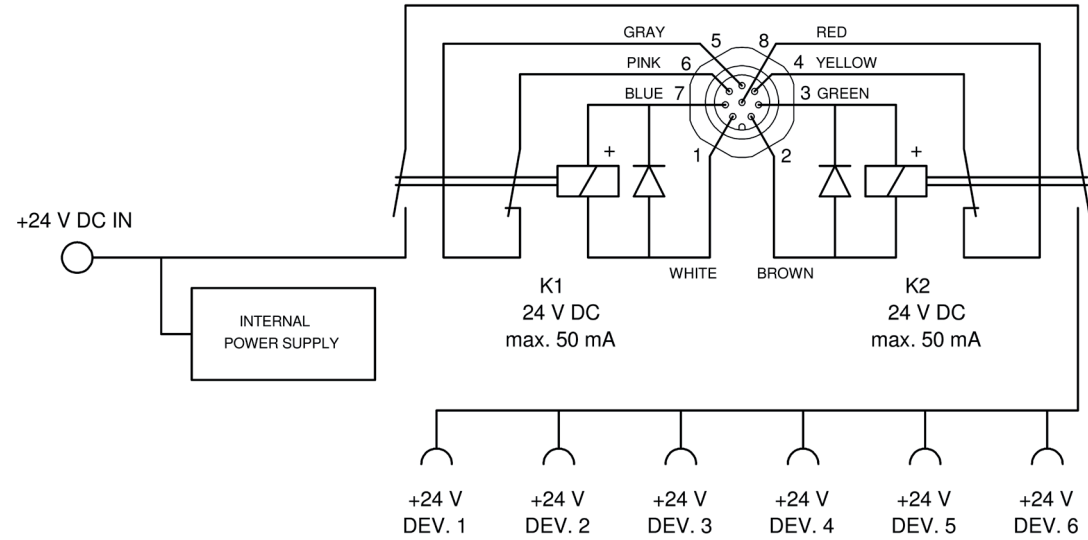


Optional

Manager IQ Easy with additional safety circuit.
 The Manager IQ Easy can be supplied with an additional safety circuit that will cut the 24V power to all connected devices. The circuit is controlled by double contacts and double feedback signal according to the machine safety directive.



Additional safety connector





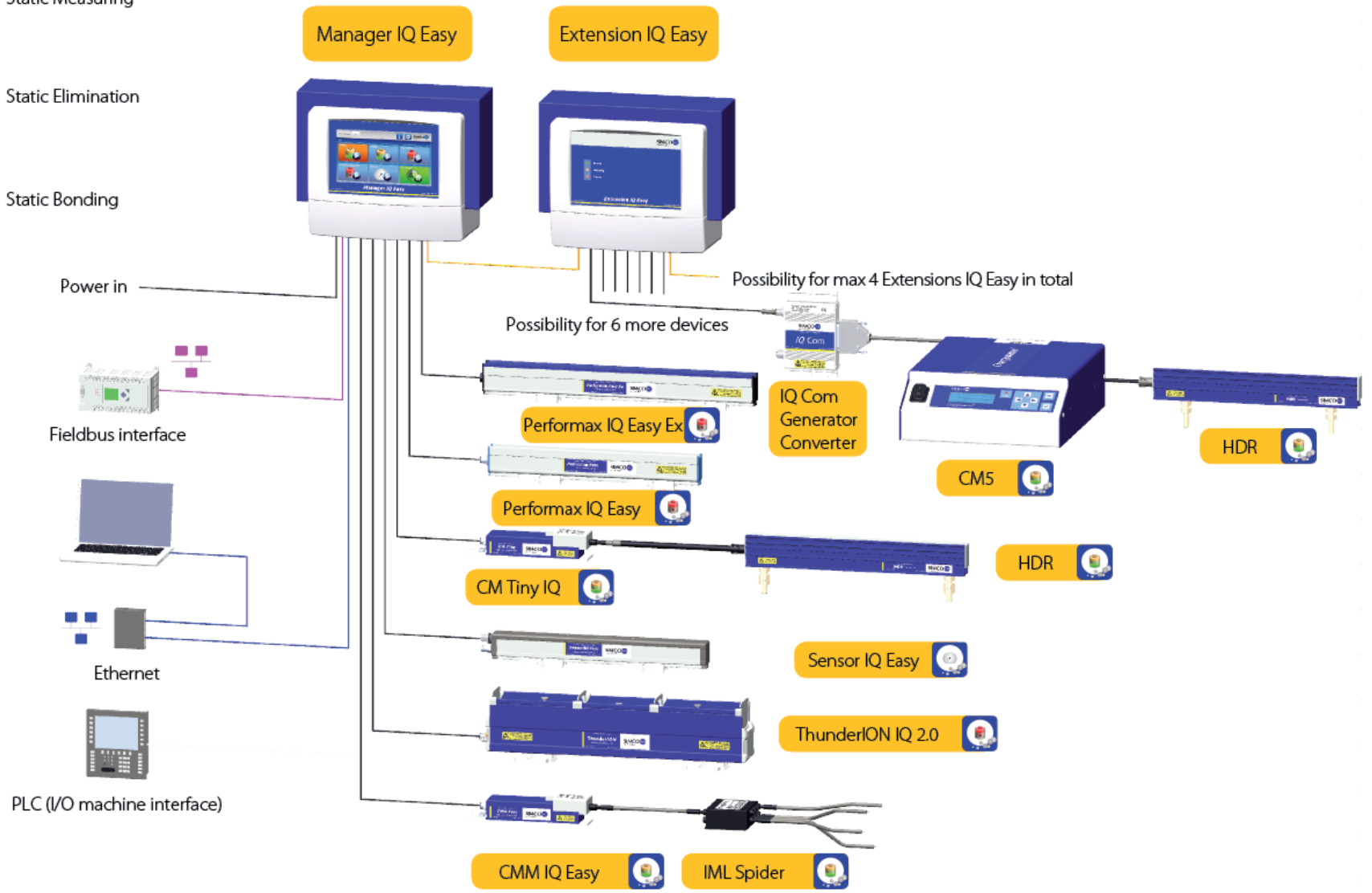
Static Measuring



Static Elimination



Static Bonding



Simco-Ion Netherlands

Postbus 71
 Lochem, The Netherlands NL-7240 AB
 Tel: +31 (0)573 288333
 Fax: +31 (0)573 288380
 general@simco-ion.nl
 www.simco-ion.nl